

MONACO COMPONENTS, INC.

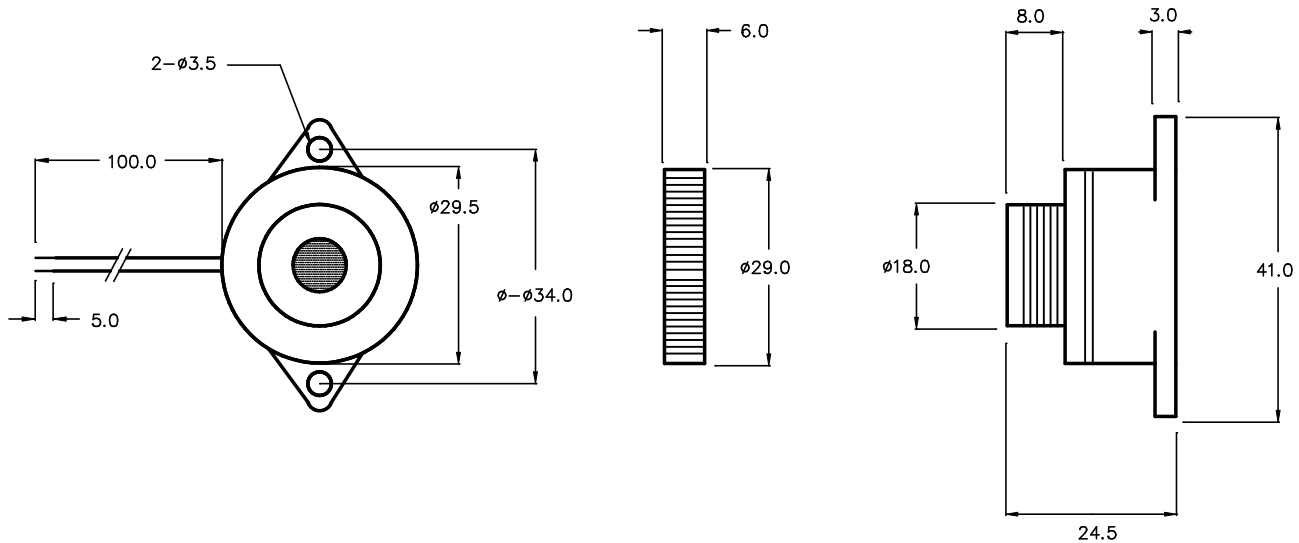
BUILT-IN DRIVE STYLE PANEL MOUNTING

**1000
series**

- Either flange or panel mounting
- Three different tones and combinations available.
- Small size with rich sound output

MODEL	MPF-1210	MPF-1212	MPF-1214	MPF-1216
FREQUENCY *	3500 HZ ± 500 Hz		3200 HZ ± 500 Hz	
DRIVING CIRCUIT	BUILT IN			
OPERATING VOLTAGE	1.5 - 16 V	1.5 - 28 V	3 - 15 V	
RATED VOLTAGE	12 V	24 V	12 V	12 V
SOUND PRESSURE *	95 dB MIN. @ 30 cm		90 dB MIN. @ 30 cm	95/90 dB MIN. @ 30 cm
CURRENT CONSUMPTION *	15 mA MAX.	20 mA MAX.	10 mA MAX.	20 mA MAX.
tone	CONTINUOUS		PULSE	DUAL
CONNECTION STYLE	PANEL MOUNT AND FLANGE/LEADS COMBINATION			
OPERATING TEMPERATURE	-20° to +60° C			

* VALUES AT RATED VOLTAGE



ALL DIMENSIONS IN mm

SPECIFICATIONS SUBJECT TO CHANGE WITHOUT NOTIFICATION / MODELS SHOWN SUBJECT TO LIMITED WARRANTY

SALES OFFICE (516)-767-6644

CORPORATE OFFICE

P.O. Box 575, Scotch Plains, NJ. 07076

Phone: (908)-322-2977 Fax: (908)-322-2358

E-mail: info@monacocomponents.com

www.monacocomponents.com