

MONACO COMPONENTS, INC.

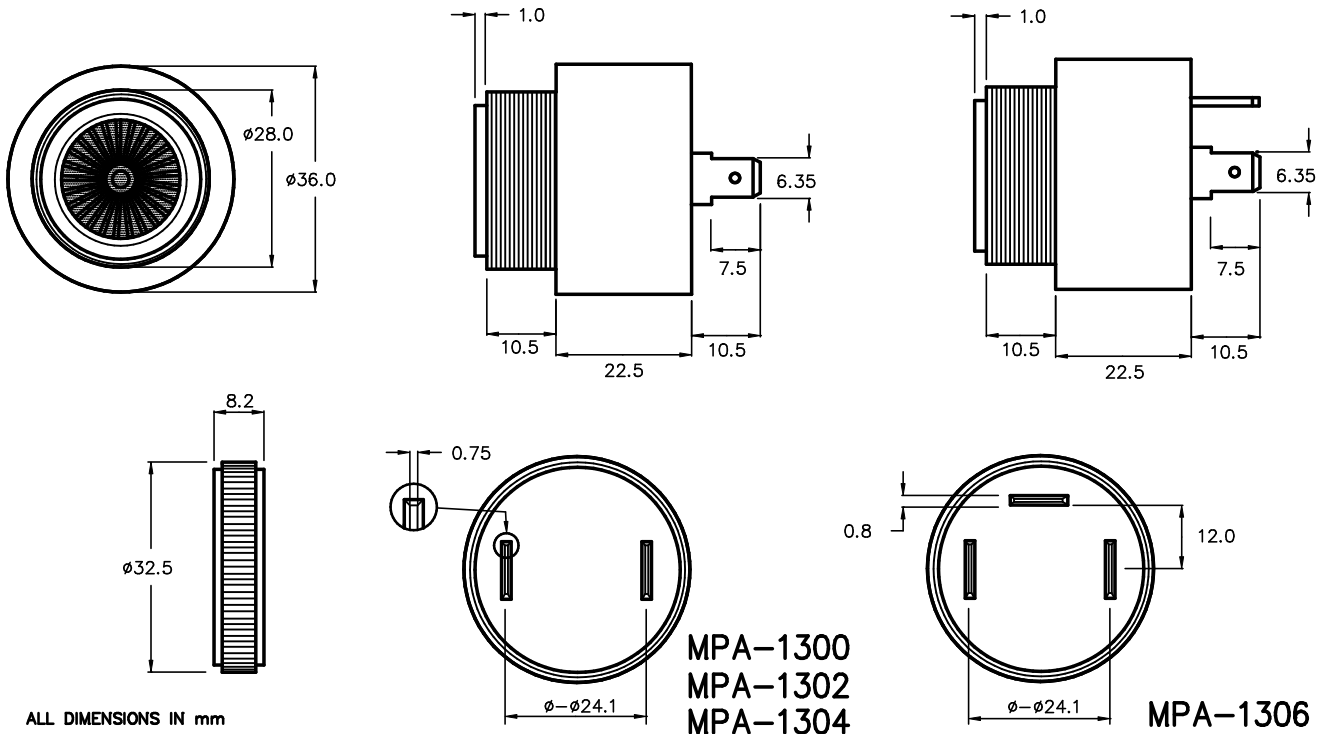
BUILT-IN DRIVE STYLE PANEL MOUNTING

**1000
series**

- Fits 28.57mm (1.125") opening in panels up to 6.35mm (0.25") thick.
- Three different tones and combinations available.
- Supplied with 6.35mm (0.25") quick-disconnect tabs.

MODEL	MPA-1300	MPA-1302	MPA-1304	MPA-1306
FREQUENCY *	2600 HZ ± 500 Hz			
DRIVING CIRCUIT	BUILT IN			
OPERATING VOLTAGE	8 - 24 V			
RATED VOLTAGE	12 V			
SOUND PRESSURE *	90 dB MIN. @ 30 cm			
CURRENT CONSUMPTION *	20 mA			
tone	CONTINUOUS	CHIME	PULSE	CONTINUOUS AND PULSE SELECTABLE
CONNECTION STYLE	PANEL MOUNT			
OPERATING TEMPERATURE	-20° to +60° C			

* VALUES AT RATED VOLTAGE



SPECIFICATIONS SUBJECT TO CHANGE WITHOUT NOTIFICATION / MODELS SHOWN SUBJECT TO LIMITED WARRANTY

SALES OFFICE (516)-767-6644

CORPORATE OFFICE

P.O. Box 575, Scotch Plains, NJ. 07076

Phone: (908)-322-2977 Fax: (908)-322-2358

E-mail: info@monacocomponents.com

www.monacocomponents.com