

# MONACO COMPONENTS, INC.

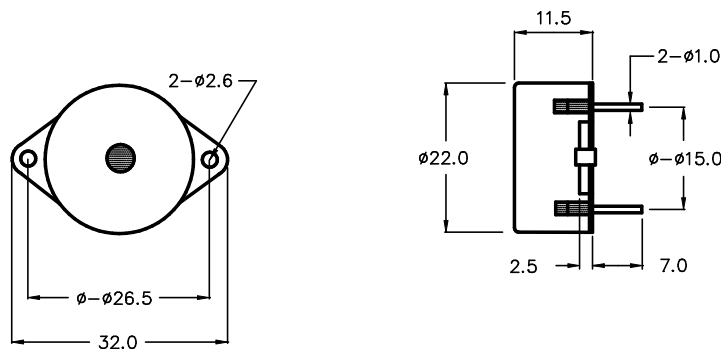
BUILT-IN DRIVE STYLE PCB MOUNTING

2000  
series

- Small size and lightweight.
- Wave solderable and washable.
- Rich sound output and low current drain.

MODEL	MPA-2200
FREQUENCY *	4000 HZ $\pm$ 500 Hz
DRIVING CIRCUIT	BUILT IN
OPERATING VOLTAGE	3 - 15 VDC
RATED VOLTAGE	12 V
SOUND PRESSURE *	85 dB @ 30 cm
CURRENT CONSUMPTION *	4.5 mA
TONE	CONTINUOUS
CONNECTION STYLE	FLANGE / PINS
OPERATING TEMPERATURE	-10° to +60° C

\* VALUES AT RATED VOLTAGE



ALL DIMENSIONS IN mm

SPECIFICATIONS SUBJECT TO CHANGE WITHOUT NOTIFICATION / MODELS SHOWN SUBJECT TO LIMITED WARRANTY

**SALES OFFICE (516)-767-6644**

CORPORATE OFFICE

P.O. Box 575, Scotch Plains, NJ. 07076

Phone: (908)-322-2977 Fax: (908)-322-2358

E-mail: [info@monacocomponents.com](mailto:info@monacocomponents.com)

[www.monacocomponents.com](http://www.monacocomponents.com)