

# MONACO COMPONENTS, INC.

BUILT-IN DRIVE STYLE PCB MOUNTING

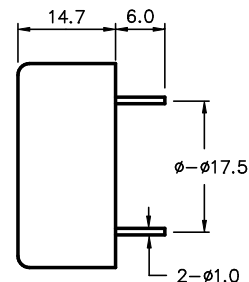
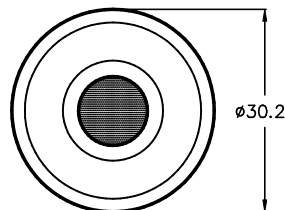
**2000  
series**

- High sound output.
- High efficiency.
- Low current drain.

MODEL	MPF-2318	MPA-2308
FREQUENCY *	2700 HZ ± 500 Hz	2000 HZ ± 500 Hz
DRIVING CIRCUIT	BUILT IN	
OPERATING VOLTAGE	3 - 20 V	5 - 18 V
RATED VOLTAGE	12 V	
SOUND PRESSURE *	90 dBA MIN. @ 30 cm	75 dB MIN. @ 100 cm
CURRENT CONSUMPTION *	10 mA MAX.	12 mA MAX.
TONE	CONTINUOUS	
CONNECTION STYLE	PCB MOUNT (PINS)	FLANGE / PINS
OPERATING TEMPERATURE	-20° to +60° C	-10° to +60° C

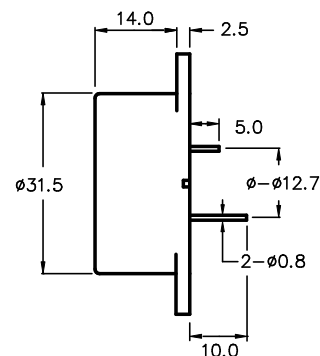
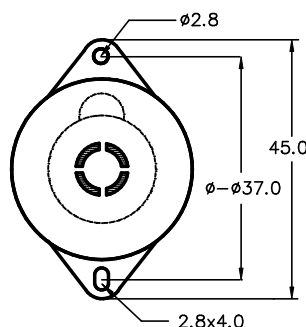
\* VALUES AT RATED VOLTAGE

**MPF-2318**



**MPA-2308**

COLOR : IVORY  
SEALED AND WASHABLE



ALL DIMENSIONS IN mm

SPECIFICATIONS SUBJECT TO CHANGE WITHOUT NOTIFICATION / MODELS SHOWN SUBJECT TO LIMITED WARRANTY

**SALES OFFICE (516)-767-6644**

CORPORATE OFFICE

P.O. Box 575, Scotch Plains, NJ. 07076

Phone: (908)-322-2977 Fax: (908)-322-2358

E-mail: [info@monacocomponents.com](mailto:info@monacocomponents.com)

[www.monacocomponents.com](http://www.monacocomponents.com)