

MONACO COMPONENTS, INC.

BUILT-IN DRIVE STYLE FLANGE MOUNTING

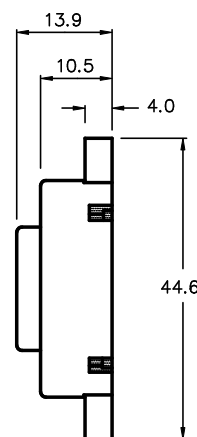
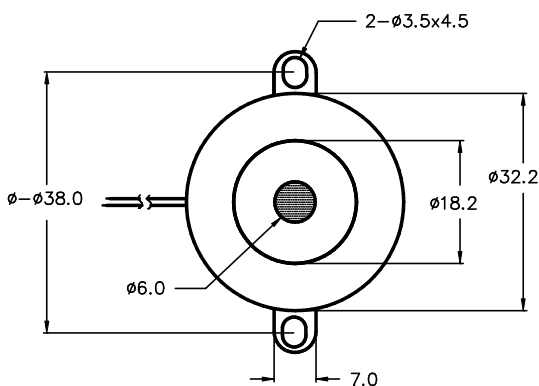
**3000
series**

- High efficiency
- Rich sound output
- Low current drain.

MODEL	MPA-3306	MPA-3308	MPA-3310
FREQUENCY *	2700 HZ ± 500 Hz		
DRIVING CIRCUIT	BUILT IN		
OPERATING VOLTAGE	3 - 30 V		
RATED VOLTAGE	12 V		
SOUND PRESSURE *	90 dB @ 50 cm		
CURRENT CONSUMPTION *	10 mA		
TONE	CONTINUOUS	CONTINUOUS	PULSE
CONNECTION STYLE	FLANGE / LEADS		
OPERATING TEMPERATURE	-40° to +70° C	-40° to +120° C	-40° to +70° C

* VALUES AT RATED VOLTAGE

MPA-3306
MPA-3308
MPA-3310
COLOR : IVORY



ALL DIMENSIONS IN mm

SPECIFICATIONS SUBJECT TO CHANGE WITHOUT NOTIFICATION / MODELS SHOWN SUBJECT TO LIMITED WARRANTY

SALES OFFICE (516)-767-6644

CORPORATE OFFICE

P.O. Box 575, Scotch Plains, NJ. 07076

Phone: (908)-322-2977 Fax: (908)-322-2358

E-mail: info@monacocomponents.com

www.monacocomponents.com