

MONACO COMPONENTS, INC.

BUILT-IN DRIVE STYLE FLANGE MOUNTING

**3000
series**

- Selectable combinations of three tones.
- A single tone may be fixed at the factory.
- Very high sound output.

MODEL	MPA-3318	MPA-3320	MPA-3322	MPA-3324
FREQUENCY *	2800 HZ ± 500 Hz			
DRIVING CIRCUIT	BUILT IN			
OPERATING VOLTAGE	6 - 15 V			
RATED VOLTAGE	12 V			
SOUND PRESSURE *	107 dB @ 100 cm			
CURRENT CONSUMPTION *	95 mA			
TONE	SELECTABLE: CONTINUOUS, PULSE, SIREN	CONTINUOUS	SIREN	PULSE
CONNECTION STYLE	FLANGE / LEADS			
OPERATING TEMPERATURE	-20° to +70° C			

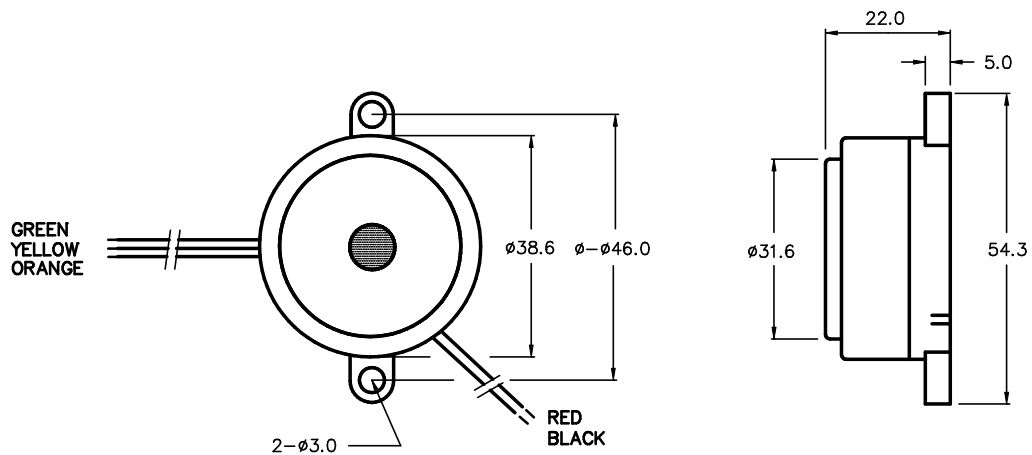
* VALUES AT RATED VOLTAGE

MPA-3318
MPA-3320
MPA-3322
MPA-3324

COLOR : IVORY

TONE SELECT:
G-Y SIREN
G-O PULSE
N/C CONTINUOUS

ALL DIMENSIONS IN mm



SPECIFICATIONS SUBJECT TO CHANGE WITHOUT NOTIFICATION / MODELS SHOWN SUBJECT TO LIMITED WARRANTY

SALES OFFICE (516)-767-6644

CORPORATE OFFICE

P.O. Box 575, Scotch Plains, NJ. 07076

Phone: (908)-322-2977 Fax: (908)-322-2358

E-mail: info@monacocomponents.com

www.monacocomponents.com