

MONACO COMPONENTS, INC.

EXTERNAL DRIVE STYLE FLANGE WITH LEADWIRERS

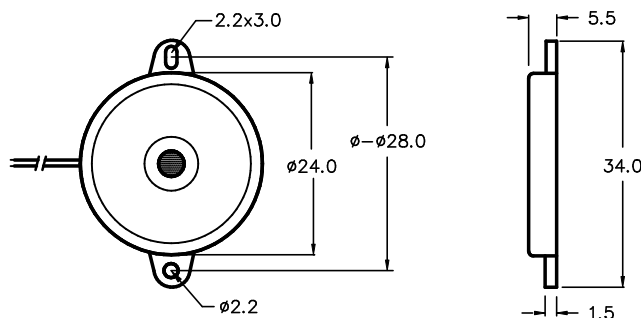
**5000
series**

- Small size and lightweight.
- Rich sound output.
- Low current drain.

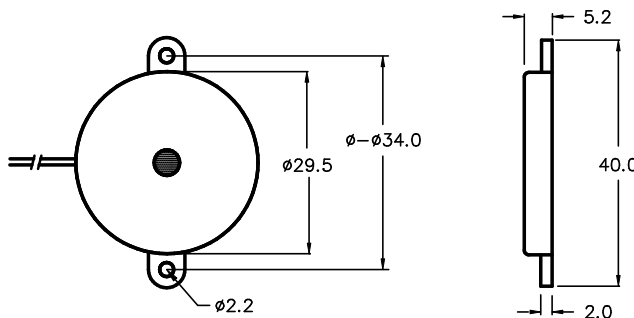
MODEL	MPF-5210	MPF-5212	MPB-5204
RESONANT FREQUENCY	3000 Hz	4000 Hz	2800 Hz
OPERATING VOLTAGE	30 V _{p-p} MAX.		30 V _{p-p} MAX.
RATED VOLTAGE	3 V _{rms} SINEWAVE		10 V _{p-p} SQUAREWAVE
CAPACITANCE	30000 ± 30% pF @ 1000 Hz	15000 ± 30% pF @ 1000 Hz	18000 ± 30% pF
DRIVE CIRCUIT	EXTERNAL		
SOUND PRESSURE *	85 dBA MIN. @ 10 cm	80 dBA MIN. @ 10 cm	95 dB MIN. @ 10 cm
CURRENT CONSUMPTION *	1.5 mA MAX.		8 mA MAX.
tone	DEPENDENT ON DRIVE CIRCUIT USED		
CONNECTION STYLE	FLANGE / LEADS		
OPERATING TEMPERATURE	-20° to +70° C		-20° to +60° C

* VALUES AT RATED VOLTAGE & RESONANT FREQUENCY

MPF-5210
MPF-5212 : STAINLESS STEEL SUBSTRATE



MPB-5204



ALL DIMENSIONS IN mm

SPECIFICATIONS SUBJECT TO CHANGE WITHOUT NOTIFICATION / MODELS SHOWN SUBJECT TO LIMITED WARRANTY

SALES OFFICE (516)-767-6644
CORPORATE OFFICE
 P.O. Box 575, Scotch Plains, NJ. 07076
 Phone: (908)-322-2977 Fax: (908)-322-2358
 E-mail: info@monacocomponents.com
www.monacocomponents.com